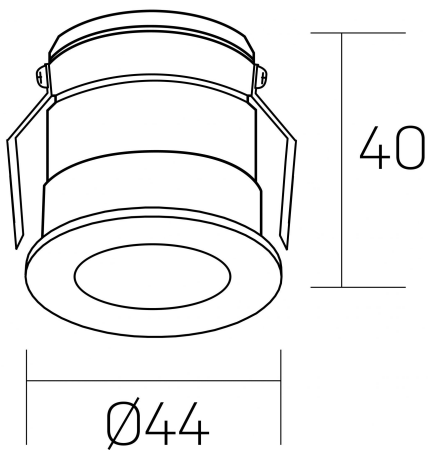


**versus litl**  
K51103.01.RF.WH-BK.30.ST.8.40.PC



#### GENERAL DETAILS

|                    |                     |
|--------------------|---------------------|
| INSTALLATION       | recessed with frame |
| FINISHES ALUMINIUM | Black-White         |
| LIGHT DIRECTION    | Fixed               |
| BEAM ANGLE         | 30°                 |
| INT/EXT IP DEGREE  | IP 32               |
| MATERIAL           | Aluminum            |
| IK DEGREE          | IK05                |
| UTILIZATION        | Indoor              |
| WARRANTY           | 3 years             |

#### ELECTRICAL DETAILS

|                        |           |
|------------------------|-----------|
| LAMP                   | LED       |
| POWER                  | 3 W       |
| COLOUR TEMPERATURE     | 4000K     |
| LUMINOUS FLUX          | 130 Lm    |
| EFFICACY DIMMING       | 44 Lm/W   |
| DIMABLE                | PHASE CUT |
| DRIVER                 | Remote    |
| CLASS PROTECTION       | II        |
| COLOUR RENDERING INDEX | CRI >80   |
| VOLTAGE                | 220-240 V |
| FRECUENCIA             | 50-60 Hz  |
| CURRENT INTENSITY      | 600 mA    |
| LIFE TIME              | 35.000 h  |

#### GENERAL DIMENSIONS

|                         |                 |
|-------------------------|-----------------|
| DIMENSIONS              | Ø 44 mm         |
| CUT OUT                 | Ø 40 mm         |
| HEIGHT                  | h 40 mm         |
| DIMENSIONES DE EMBALAJE | 82 × 52 × 78 mm |
| PESO NETO               | 0.086           |

\*Please might expect a max.15% figure reduction in finishes other than white