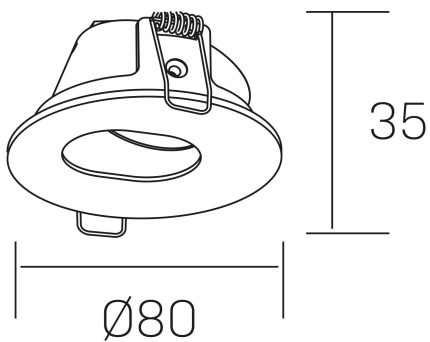


venus dash
K50131.01.RF.BK-BK.GU



GENERAL DETAILS

INSTALLATION	recessed with frame
FINISHES ALUMINIUM	Black-Black
LIGHT DIRECTION	Orientable
TILTING DEGREES	30°
INT/EXT IP DEGREE	IP 23
MATERIAL	Aluminum
IK DEGREE	IK05
UTILIZATION	Indoor
WARRANTY	3 years

ELECTRICAL DETAILS

LAMP HOLDERS	GU
POWER	Max 50 W
CLASS PROTECTION	II
VOLTAGE	110-240 V
FRECUENCIA	50-60 Hz

GENERAL DIMENSIONS

DIMENSIONS	Ø 80 mm
CUT OUT	Ø 70 mm
HEIGHT	h 35 mm total h 100 mm
DIMENSIONES DE EMBALAJE	90 × 90 × 75 mm
PESO NETO	0.12

*Please might expect a max.15% figure reduction in finishes other than white