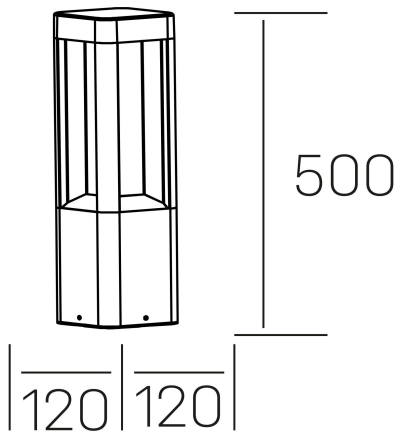




senda floor
K60500.02.FL.DG-DG.ST.8.30



GENERAL DETAILS

| | |
|--------------------|---------------------|
| INSTALLATION | Floor |
| FINISHES ALUMINIUM | Dark Grey-Dark Grey |
| LIGHT DIRECTION | Fixed |
| INT/EXT IP DEGREE | IP 54 |
| MATERIAL | Aluminum |
| IK DEGREE | IK08 |
| UTILIZATION | Outdoor |
| WARRANTY | 3 years |

ELECTRICAL DETAILS

| | |
|------------------------|------------|
| LAMP | LED |
| POWER | 9 W |
| COLOUR TEMPERATURE | 3000K |
| LUMINOUS FLUX | 150 Lm |
| EFFICACY DIMMING | 17 Lm/W |
| DIMABLE | No Dim |
| DRIVER | Integrated |
| CLASS PROTECTION | I |
| COLOUR RENDERING INDEX | CRI >80 |
| VOLTAGE | 220-240 V |
| FRECUENCIA | 50-60 Hz |
| CURRENT INTENSITY | 300 mA |
| LIFE TIME | 50.000 h |

GENERAL DIMENSIONS

| | |
|-------------------------|------------|
| DIMENSIONS | 120×120 mm |
| HEIGHT | h 500 mm |
| DIMENSIONES DE EMBALAJE | N/A |
| PESO NETO | 2.16 |

*Please might expect a max.15% figure reduction in finishes other than white