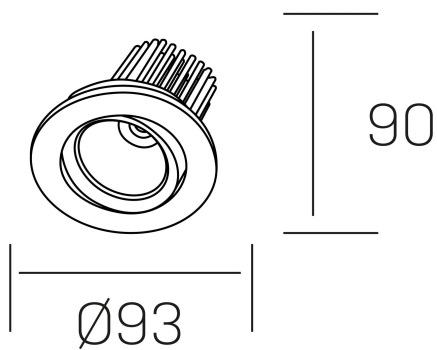




**rebecca**  
K53270.01.RF.WH-WH.20.ST.9.40.D1



## GENERAL DETAILS

INSTALLATION	recessed with frame
FINISHES ALUMINIUM	White-White
LIGHT DIRECTION	Orientable
TILTING DEGREES	30°
ROTATION DEGREES	350°
BEAM ANGLE	20°
INT/EXT IP DEGREE	IP 23
MATERIAL	Aluminum
IK DEGREE	IK05
UTILIZATION	Indoor
WARRANTY	3 years

## ELECTRICAL DETAILS

LAMP	LED
POWER	10W
COLOUR TEMPERATURE	4000K
LUMINOUS FLUX	920 Lm
EFFICACY DIMMING	78-82 lm/W
DIMABLE	1.10v
DRIVER	Remote
CLASS PROTECTION	II
COLOUR RENDERING INDEX	CRI>90
VOLTAGE	220-240 V
FRECUENCIA	50-60 Hz
CURRENT INTENSITY	300 mA
LIFE TIME	50.000 h

## GENERAL DIMENSIONS

DIMENSIONS	Ø 93 mm
CUT OUT	Ø 80 mm
HEIGHT	h 90 mm
DIMENSIONES DE EMBALAJE	125 × 110 × 110 mm
PESO NETO	0.22

\*Please might expect a max.15% figure reduction in finishes other than white