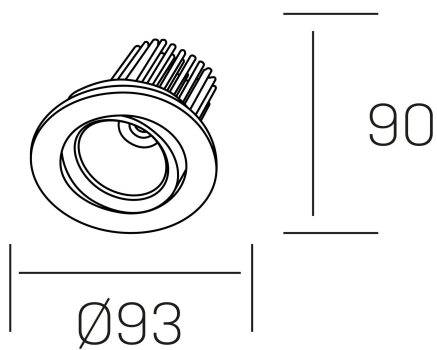




rebecca
K53270.01.RF.ALUMN.35.ST.9.40.DA



GENERAL DETAILS

INSTALLATION	recessed with frame
FINISHES ALUMINIUM	Aluminum
LIGHT DIRECTION	Orientable
TILTING DEGREES	30°
ROTATION DEGREES	350°
BEAM ANGLE	35°
INT/EXT IP DEGREE	IP 23
MATERIAL	Aluminum
IK DEGREE	IK05
UTILIZATION	Indoor
WARRANTY	5 years

ELECTRICAL DETAILS

LAMP	LED
POWER	10W
COLOUR TEMPERATURE	4000K
LUMINOUS FLUX	920 Lm
EFFICACY DIMMING	78-82 lm/W
DIMABLE	DALI
DRIVER	Remote
CLASS PROTECTION	II
COLOUR RENDERING INDEX	CRI>90
VOLTAGE	220-240 V
CURRENT INTENSITY	300 mA
LIFE TIME	50.000 h

GENERAL DIMENSIONS

DIMENSIONS	Ø 93 mm
CUT OUT	Ø 80 mm
HEIGHT	h 90 mm
DIMENSIONES DE EMBALAJE	125 × 110 × 110 mm
PESO NETO	0.22

*Please might expect a max.15% figure reduction in finishes other than white