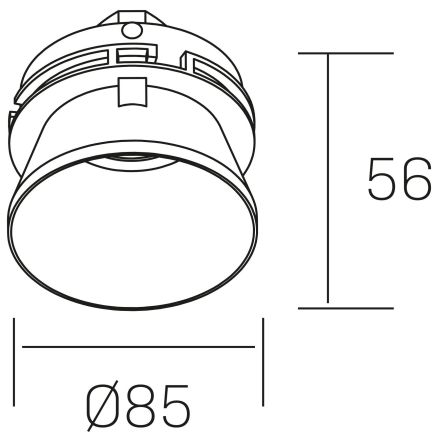




**ozone sat**  
K50126.01.TR.WH-WH.GU



#### GENERAL DETAILS

INSTALLATION	Trimless
FINISHES ALUMINIUM	White-White
LIGHT DIRECTION	Fixed
INT/EXT IP DEGREE	IP 23
MATERIAL	Aluminum
IK DEGREE	IK05
UTILIZATION	Indoor
WARRANTY	3 years

#### ELECTRICAL DETAILS

LAMP HOLDERS	GU
POWER	Max 50 W
CLASS PROTECTION	II
VOLTAGE	110-240 V
FRECUENCIA	50-60 Hz

#### GENERAL DIMENSIONS

DIMENSIONS	$\varnothing 85$ mm
CUT OUT	$\varnothing 96$ mm
HEIGHT	h 56 mm total h 125 mm
DIMENSIONES DE EMBALAJE	95 × 95 × 75 mm
PESO NETO	0.28

\*Please might expect a max.15% figure reduction in finishes other than white