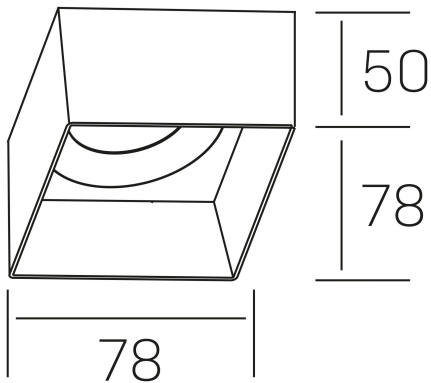




ozone sat sq
K50125.01.TR.WH-WH.GU



GENERAL DETAILS

INSTALLATION	Trimless
FINISHES ALUMINIUM	White-White
LIGHT DIRECTION	Fixed
INT/EXT IP DEGREE	IP 23
MATERIAL	Aluminum
IK DEGREE	IK05
UTILIZATION	Indoor
WARRANTY	3 years

ELECTRICAL DETAILS

LAMP HOLDERS	GU
POWER	Max 50 W
CLASS PROTECTION	II
VOLTAGE	110-240 V
FRECUENCIA	50-60 Hz

GENERAL DIMENSIONS

DIMENSIONS	78×78 mm
CUT OUT	88×88 mm
HEIGHT	h 50 mm total h 128 mm
DIMENSIONES DE EMBALAJE	95 × 95 × 55 mm
PESO NETO	0.30

*Please might expect a max.15% figure reduction in finishes other than white