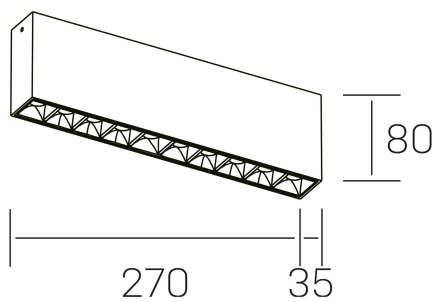


**nses**  
K51300.02.SR.WH-BK.15.ST.9.30



## GENERAL DETAILS

INSTALLATION	Surface
FINISHES ALUMINIUM	Black-White
LIGHT DIRECTION	Fixed
BEAM ANGLE	15°
INT/EXT IP DEGREE	IP20
MATERIAL	Aluminum
IK DEGREE	IK 6
UTILIZATION	Indoor
WARRANTY	3 years

## ELECTRICAL DETAILS

LAMP	LED
POWER	20 W
COLOUR TEMPERATURE	3000K
LUMINOUS FLUX	1530 Lm
EFFICACY DIMMING	73 Lm/W
DIMABLE	No Dim
DRIVER	Integrated
CLASS PROTECTION	II
COLOUR RENDERING INDEX	CRI>90
VOLTAGE	220-240 V
FRECUENCIA	50-60 Hz
CURRENT INTENSITY	600 mA
LIFE TIME	50.000 h

## GENERAL DIMENSIONS

DIMENSIONS	270×35 mm
HEIGHT	h 80 mm
DIMENSIONES DE EMBALAJE	290 × 150 × 45 mm

\*Please might expect a max.15% figure reduction in finishes other than white