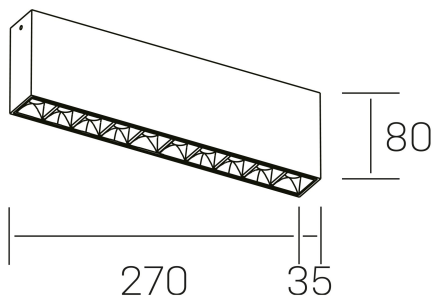


**nseS**  
K51300.02.SR.BK-BK.45.ST.9.40



## GENERAL DETAILS

INSTALLATION	Surface
FINISHES ALUMINIUM	Black-Black
LIGHT DIRECTION	Fixed
BEAM ANGLE	45°
INT/EXT IP DEGREE	IP20
MATERIAL	Aluminum
IK DEGREE	IK 6
UTILIZATION	Indoor
WARRANTY	5 years

## ELECTRICAL DETAILS

LAMP	LED
POWER	20 W
COLOUR TEMPERATURE	4000K
LUMINOUS FLUX	1630 Lm
EFFICACY DIMMING	78 Lm/W
DIMABLE	No Dim
DRIVER	Integrated
CLASS PROTECTION	II
COLOUR RENDERING INDEX	CRI>90
VOLTAGE	220-240 V
CURRENT INTENSITY	600 mA
LIFE TIME	50.000 h

## GENERAL DIMENSIONS

DIMENSIONS	.02 (270x35mm)
HEIGHT	h 80 mm
DIMENSIONES DE EMBALAJE	290 × 150 × 45 mm

\*Please might expect a max.15% figure reduction in finishes other than white