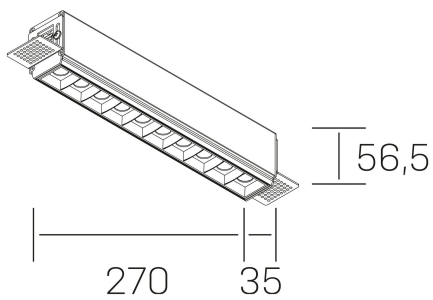


**nses**  
K51300.03.TR.WH-BK.30.ST.9.40.PC



## GENERAL DETAILS

|                    |             |
|--------------------|-------------|
| INSTALLATION       | Trimless    |
| FINISHES ALUMINIUM | Black-White |
| LIGHT DIRECTION    | Fixed       |
| BEAM ANGLE         | 30°         |
| INT/EXT IP DEGREE  | IP20        |
| MATERIAL           | Aluminum    |
| IK DEGREE          | IK 6        |
| UTILIZATION        | Indoor      |
| WARRANTY           | 3 years     |

## ELECTRICAL DETAILS

|                        |           |
|------------------------|-----------|
| LAMP                   | LED       |
| POWER                  | 20 W      |
| COLOUR TEMPERATURE     | 2700K     |
| LUMINOUS FLUX          | 1430 Lm   |
| EFFICACY DIMMING       | 68 Lm/W   |
| DIMABLE                | PHASE CUT |
| DRIVER                 | Remote    |
| CLASS PROTECTION       | II        |
| COLOUR RENDERING INDEX | CRI>90    |
| VOLTAGE                | 220-240 V |
| FRECUENCIA             | 50-60 Hz  |
| CURRENT INTENSITY      | 600 mA    |
| LIFE TIME              | 35.000 h  |

## GENERAL DIMENSIONS

|                         |                  |
|-------------------------|------------------|
| DIMENSIONS              | 270×35 mm        |
| CUT OUT                 | 275×70 mm        |
| HEIGHT                  | h 56.5 mm        |
| DIMENSIONES DE EMBALAJE | 325 × 80 × 85 mm |
| PESO NETO               | 86               |

\*Please might expect a max.15% figure reduction in finishes other than white