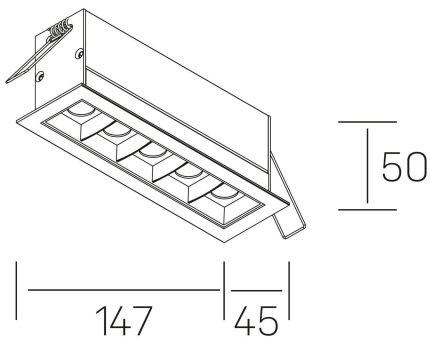




nses
K51300.04.RF.BK-BK.30.ST.9.27.D1



GENERAL DETAILS

INSTALLATION	recessed with frame
FINISHES ALUMINIUM	Black-Black
LIGHT DIRECTION	Fixed
BEAM ANGLE	30°
INT/EXT IP DEGREE	IP20/23
MATERIAL	Aluminum
IK DEGREE	IK 6
UTILIZATION	Indoor
WARRANTY	3 years

ELECTRICAL DETAILS

LAMP	LED
POWER	10W
COLOUR TEMPERATURE	2700K
LUMINOUS FLUX	835 Lm
EFFICACY DIMMING	70 Lm/W
DIMABLE	Push
DRIVER	Remote
CLASS PROTECTION	II
COLOUR RENDERING INDEX	CRI>90
VOLTAGE	220-240 V
FRECUENCIA	50-60 Hz
CURRENT INTENSITY	700 mA
LIFE TIME	35.000 h

GENERAL DIMENSIONS

DIMENSIONS	147x45 mm
CUT OUT	140x37 mm
DIMENSIONES DE EMBALAJE	190 x 80 x 85 mm
PESO NETO	32

*Please might expect a max.15% figure reduction in finishes other than white