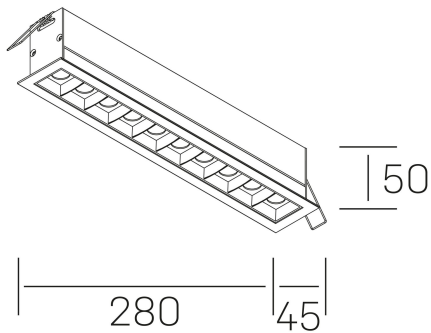




**nses**

K51300.05.RF.WH-BK.45.ST.9.27.PU



## GENERAL DETAILS

INSTALLATION	recessed with frame
FINISHES ALUMINIUM	Black-White
LIGHT DIRECTION	Fixed
BEAM ANGLE	45°
INT/EXT IP DEGREE	IP20/23
MATERIAL	Aluminum
IK DEGREE	IK 6
UTILIZATION	Indoor
WARRANTY	5 years

## ELECTRICAL DETAILS

LAMP	LED
POWER	20 W
COLOUR TEMPERATURE	2700K
LUMINOUS FLUX	1430 Lm
EFFICACY DIMMING	68 Lm/W
DIMABLE	Push
DRIVER	Remote
CLASS PROTECTION	II
COLOUR RENDERING INDEX	CRI>90
VOLTAGE	220-240 V
CURRENT INTENSITY	600 mA
LIFE TIME	50.000 h

## GENERAL DIMENSIONS

DIMENSIONS	.05 (280x45mm)
CUT OUT	273x37 mm
DIMENSIONES DE EMBALAJE	325 × 80 × 85 mm
PESO NETO	60

\*Please might expect a max.15% figure reduction in finishes other than white