

## GENERAL DETAILS

|                    |                     |
|--------------------|---------------------|
| INSTALLATION       | recessed with frame |
| FINISHES ALUMINIUM | Black-White         |
| LIGHT DIRECTION    | Fixed               |
| BEAM ANGLE         | 30°                 |
| INT/EXT IP DEGREE  | IP20/23             |
| MATERIAL           | Aluminum            |
| IK DEGREE          | IK 6                |
| UTILIZATION        | Indoor              |
| WARRANTY           | 3 years             |

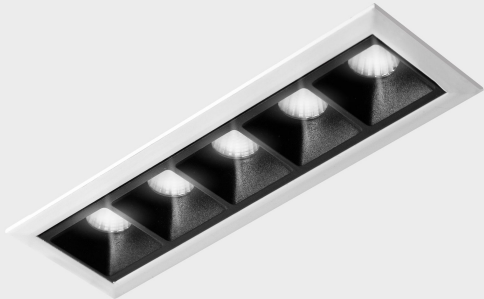
## ELECTRICAL DETAILS

|                        |           |
|------------------------|-----------|
| LAMP                   | LED       |
| POWER                  | 10W       |
| COLOUR TEMPERATURE     | 4000K     |
| LUMINOUS FLUX          | 915 Lm    |
| EFFICACY DIMMING       | 76 Lm/W   |
| DIMABLE                | Push      |
| DRIVER                 | Remote    |
| CLASS PROTECTION       | II        |
| COLOUR RENDERING INDEX | CRI>90    |
| VOLTAGE                | 220-240 V |
| FRECUENCIA             | 50-60 Hz  |
| CURRENT INTENSITY      | 700 mA    |
| LIFE TIME              | 35.000 h  |

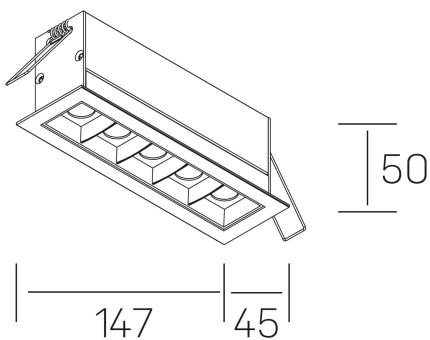
## GENERAL DIMENSIONS

|                         |                  |
|-------------------------|------------------|
| DIMENSIONS              | 147×45 mm        |
| CUT OUT                 | 140×37 mm        |
| DIMENSIONES DE EMBALAJE | 190 × 80 × 85 mm |
| PESO NETO               | 32               |

\*Please might expect a max.15% figure reduction in finishes other than white



**nses**  
K51300.04.RF.WH-BK.30.ST.9.40.PU



147 45

50