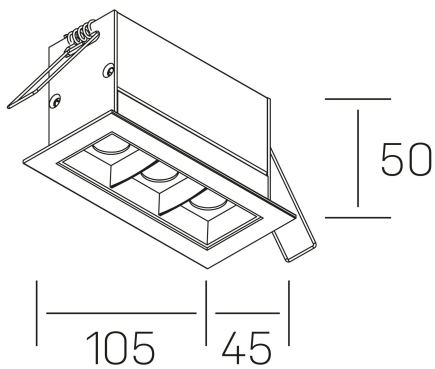




**nses**  
K51300.03.RF.BK-BK.45.ST.9.27.PU



#### GENERAL DETAILS

|                    |                     |
|--------------------|---------------------|
| INSTALLATION       | recessed with frame |
| FINISHES ALUMINIUM | Black-Black         |
| LIGHT DIRECTION    | Fixed               |
| BEAM ANGLE         | 45°                 |
| INT/EXT IP DEGREE  | IP20/23             |
| MATERIAL           | Aluminum            |
| IK DEGREE          | IK 6                |
| UTILIZATION        | Indoor              |
| WARRANTY           | 3 years             |

#### ELECTRICAL DETAILS

|                        |           |
|------------------------|-----------|
| LAMP                   | LED       |
| POWER                  | 6 W       |
| COLOUR TEMPERATURE     | 2700K     |
| LUMINOUS FLUX          | 480 Lm    |
| EFFICACY DIMMING       | 69 Lm/W   |
| DIMABLE                | Push      |
| DRIVER                 | Remote    |
| CLASS PROTECTION       | II        |
| COLOUR RENDERING INDEX | CRI>90    |
| VOLTAGE                | 220-240 V |
| FRECUENCIA             | 50-60 Hz  |
| CURRENT INTENSITY      | 700 mA    |
| LIFE TIME              | 50.000 h  |

#### GENERAL DIMENSIONS

|                         |                  |
|-------------------------|------------------|
| DIMENSIONS              | 105×45 mm        |
| CUT OUT                 | 96×37 mm         |
| DIMENSIONES DE EMBALAJE | 190 × 80 × 85 mm |
| PESO NETO               | 26               |

\*Please might expect a max.15% figure reduction in finishes other than white