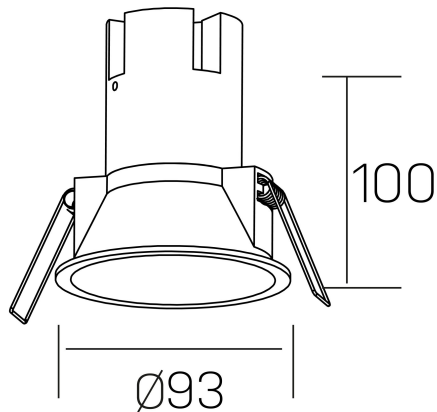




noon IP65
K50803.02.RF.BK-BK.38.ST.8.40.PC



GENERAL DETAILS

| | |
|--------------------|------------------------|
| INSTALLATION | recessed with frame |
| FINISHES ALUMINIUM | Black-Black |
| LIGHT DIRECTION | Fixed |
| BEAM ANGLE | 38° |
| INT/EXT IP DEGREE | IP 65 |
| MATERIAL | Aluminio/Polycarbonato |
| IK DEGREE | IK03 |
| UTILIZATION | Indoor |
| WARRANTY | 3 years |

ELECTRICAL DETAILS

| | |
|------------------------|-----------|
| LAMP | LED |
| POWER | 10W |
| COLOUR TEMPERATURE | 4000K |
| LUMINOUS FLUX | 910 Lm |
| EFFICACY DIMMING | 87 Lm/W |
| DIMABLE | PHASE CUT |
| DRIVER | Remote |
| CLASS PROTECTION | II |
| COLOUR RENDERING INDEX | CRI >80 |
| VOLTAGE | 220-240 V |
| FRECUENCIA | 50-60 Hz |
| CURRENT INTENSITY | 250 mA |
| LIFE TIME | 35.000 h |

GENERAL DIMENSIONS

| | |
|-------------------------|------------------|
| DIMENSIONS | Ø 93 mm |
| CUT OUT | Ø 85 mm |
| HEIGHT | h 100 mm |
| DIMENSIONES DE EMBALAJE | 95 × 95 × 110 mm |
| PESO NETO | 0.25 |

*Please might expect a max.15% figure reduction in finishes other than white