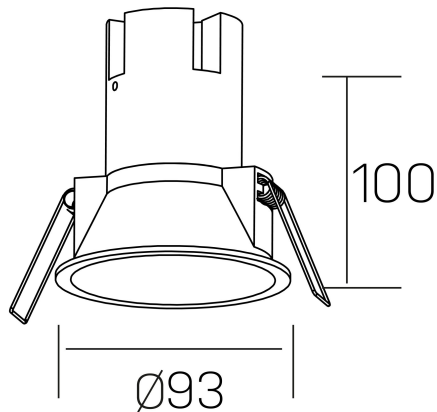




noon IP65
K50803.02.RF.BK-BK.38.ST.8.30.PC



GENERAL DETAILS

INSTALLATION	recessed with frame
FINISHES ALUMINIUM	Black-Black
LIGHT DIRECTION	Fixed
BEAM ANGLE	38°
INT/EXT IP DEGREE	IP 65
MATERIAL	Aluminio/Polycarbonato
IK DEGREE	IK03
UTILIZATION	Indoor
WARRANTY	3 years

ELECTRICAL DETAILS

LAMP	LED
POWER	10W
COLOUR TEMPERATURE	3000K
LUMINOUS FLUX	900 lm
EFFICACY DIMMING	86 Lm/W
DIMABLE	PHASE CUT
DRIVER	Remote
CLASS PROTECTION	II
COLOUR RENDERING INDEX	CRI >80
VOLTAGE	220-240 V
FRECUENCIA	50-60 Hz
CURRENT INTENSITY	250 mA
LIFE TIME	35.000 h

GENERAL DIMENSIONS

DIMENSIONS	Ø 93 mm
CUT OUT	Ø 85 mm
HEIGHT	h 100 mm
DIMENSIONES DE EMBALAJE	95 × 95 × 110 mm
PESO NETO	0.25

*Please might expect a max.15% figure reduction in finishes other than white