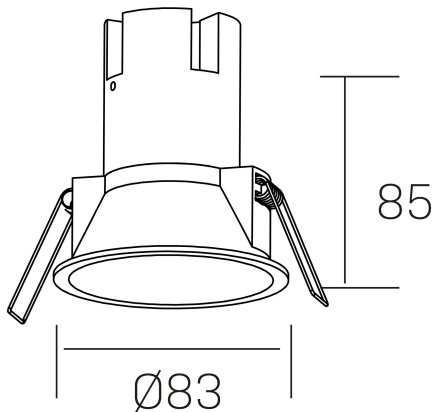




**noon IP65**  
K50803.01.RF.WH-WH.38.ST.8.27.D1



#### GENERAL DETAILS

|                    |                        |
|--------------------|------------------------|
| INSTALLATION       | recessed with frame    |
| FINISHES ALUMINIUM | White-White            |
| LIGHT DIRECTION    | Fixed                  |
| BEAM ANGLE         | 38°                    |
| INT/EXT IP DEGREE  | IP 65                  |
| MATERIAL           | Aluminio/Polycarbonato |
| IK DEGREE          | IK03                   |
| UTILIZATION        | Indoor                 |
| WARRANTY           | 3 years                |

#### ELECTRICAL DETAILS

|                        |           |
|------------------------|-----------|
| LAMP                   | LED       |
| POWER                  | 7 W       |
| COLOUR TEMPERATURE     | 2700K     |
| LUMINOUS FLUX          | 575 Lm    |
| EFFICACY DIMMING       | 77 Lm/W   |
| DIMABLE                | 1.10v     |
| DRIVER                 | Remote    |
| CLASS PROTECTION       | II        |
| COLOUR RENDERING INDEX | CRI >80   |
| VOLTAGE                | 220-240 V |
| FRECUENCIA             | 50-60 Hz  |
| CURRENT INTENSITY      | 160 mA    |
| LIFE TIME              | 50.000 h  |

#### GENERAL DIMENSIONS

|                         |                  |
|-------------------------|------------------|
| DIMENSIONS              | Ø 83 mm          |
| CUT OUT                 | Ø 75 mm          |
| HEIGHT                  | h 85 mm          |
| DIMENSIONES DE EMBALAJE | 95 × 95 × 110 mm |
| PESO NETO               | 0.25             |

\*Please might expect a max.15% figure reduction in finishes other than white