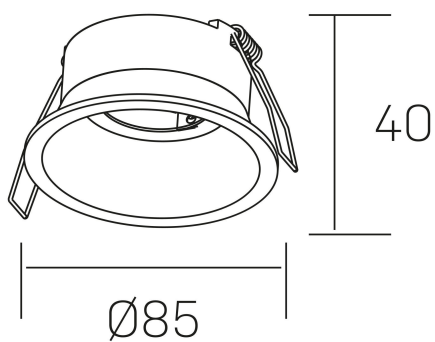




**moon**  
K50110.01.RF.WH-WH.GU



#### GENERAL DETAILS

INSTALLATION	recessed with frame
FINISHES ALUMINIUM	White-White
LIGHT DIRECTION	Fixed
INT/EXT IP DEGREE	IP 23
MATERIAL	Aluminum
IK DEGREE	IK05
UTILIZATION	Indoor
WARRANTY	3 years

#### ELECTRICAL DETAILS

LAMP HOLDERS	GU
POWER	Max 8W
DIMABLE	No Dim
CLASS PROTECTION	II
VOLTAGE	110-240 V
FRECUENCIA	50-60 Hz

#### GENERAL DIMENSIONS

DIMENSIONS	$\varnothing 85$ mm
CUT OUT	$\varnothing 75$ mm
HEIGHT	h 40 mm total h 105 mm
DIMENSIONES DE EMBALAJE	95 × 95 × 100 mm
PESO NETO	0.12

\*Please might expect a max.15% figure reduction in finishes other than white