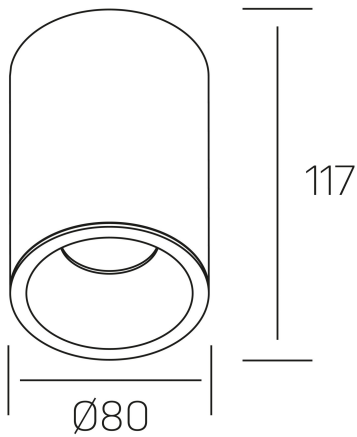




moon totem
K50133.01.SR.WH-WH.GU



GENERAL DETAILS

INSTALLATION	Surface
FINISHES ALUMINIUM	White-White
LIGHT DIRECTION	Fixed
INT/EXT IP DEGREE	IP 65
MATERIAL	Aluminum
IK DEGREE	IK05
UTILIZATION	Indoor
WARRANTY	3 years

ELECTRICAL DETAILS

LAMP HOLDERS	GU
POWER	8 W
DIMABLE	No Dim
CLASS PROTECTION	II
VOLTAGE	110-240 V
FRECUENCIA	50-60 Hz

GENERAL DIMENSIONS

DIMENSIONS	Ø 80 mm
HEIGHT	h 117 mm
DIMENSIONES DE EMBALAJE	100 × 100 × 1.60 mm
PESO NETO	0.42

*Please might expect a max.15% figure reduction in finishes other than white