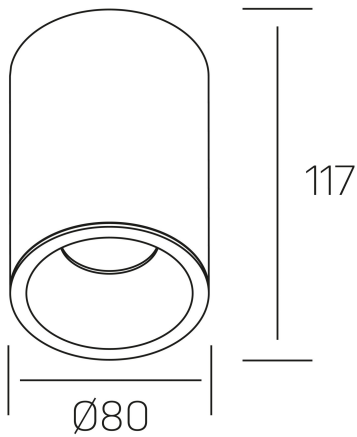




**moon totem**  
K50133.01.SR.BK-BK.GU



#### GENERAL DETAILS

INSTALLATION	Surface
FINISHES ALUMINIUM	Black-Black
LIGHT DIRECTION	Fixed
INT/EXT IP DEGREE	IP 65
MATERIAL	Aluminum
IK DEGREE	IK05
UTILIZATION	Indoor
WARRANTY	3 years

#### ELECTRICAL DETAILS

LAMP HOLDERS	GU
POWER	8 W
DIMABLE	No Dim
CLASS PROTECTION	II
VOLTAGE	110-240 V
FRECUENCIA	50-60 Hz

#### GENERAL DIMENSIONS

DIMENSIONS	$\varnothing 80$ mm
HEIGHT	h 117 mm
DIMENSIONES DE EMBALAJE	100 × 100 × 1.60 mm
PESO NETO	0.42

\*Please might expect a max.15% figure reduction in finishes other than white