

GENERAL DETAILS

INSTALLATION	Surface
FINISHES ALUMINIUM	White-White
LIGHT DIRECTION	Fixed
BEAM ANGLE	38°
INT/EXT IP DEGREE	IP20
MATERIAL	Aluminum
IK DEGREE	IK05
UTILIZATION	Indoor
WARRANTY	5 years

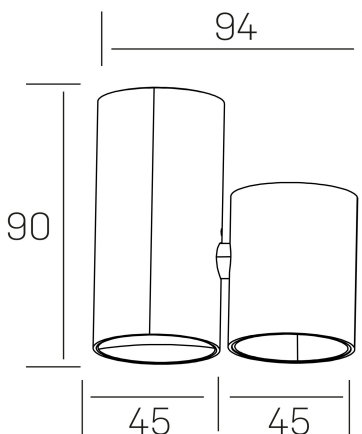
ELECTRICAL DETAILS

LAMP	LED
POWER	7 W
COLOUR TEMPERATURE	4000K
LUMINOUS FLUX	670 lm
EFFICACY DIMMING	96 Lm/W
DIMABLE	1.10v
DRIVER	Remote
CLASS PROTECTION	II
COLOUR RENDERING INDEX	CRI>90
VOLTAGE	220-240 V
CURRENT INTENSITY	200 mA
LIFE TIME	50.000 h

GENERAL DIMENSIONS

DIMENSIONS	94×45 mm
HEIGHT	h 90 mm
DIMENSIONES DE EMBALAJE	105 × 105 × 70 mm
PESO NETO	0.20

*Please might expect a max.15% figure reduction in finishes other than white



luxo aura
K50155.01.SR.WH-WH.38.ST.8.40.D1