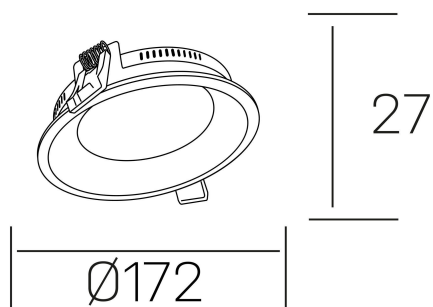




**lim miranda**  
K53100.02.RF.WH-WH.OP.ST.8.30.D1



#### GENERAL DETAILS

INSTALLATION	recessed with frame
FINISHES ALUMINIUM	White-White
OPTIC COVER	Opal
LIGHT DIRECTION	Fixed
INT/EXT IP DEGREE	IP 44
MATERIAL	Aluminum
IK DEGREE	IK03
UTILIZATION	Indoor
WARRANTY	3 years

#### ELECTRICAL DETAILS

LAMP	LED
POWER	15 W
COLOUR TEMPERATURE	3000K
LUMINOUS FLUX	1250 Lm
EFFICACY DIMMING	80 Lm/W
DIMABLE	1.10v
DRIVER	Remote
CLASS PROTECTION	II
COLOUR RENDERING INDEX	CRI >80
VOLTAGE	220-240 V
FRECUENCIA	50-60 Hz
CURRENT INTENSITY	350 mA
LIFE TIME	50.000 h

#### GENERAL DIMENSIONS

DIMENSIONS	Ø 172 mm
CUT OUT	Ø 160 mm
HEIGHT	h 27 mm
DIMENSIONES DE EMBALAJE	210 × 210 × 45 mm
PESO NETO	0.40

\*Please might expect a max.15% figure reduction in finishes other than white