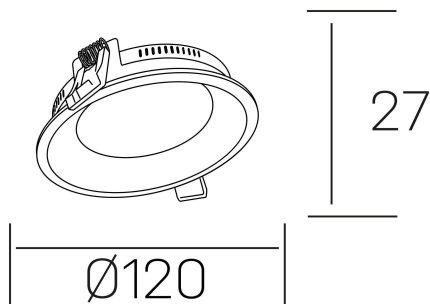




lim miranda
K53100.01.RF.WH-WH.OP.ST.8.40.PC



GENERAL DETAILS

INSTALLATION	recessed with frame
FINISHES ALUMINIUM	White-White
OPTIC COVER	Opal
LIGHT DIRECTION	Fixed
INT/EXT IP DEGREE	IP 44
MATERIAL	Aluminum
IK DEGREE	IK03
UTILIZATION	Indoor
WARRANTY	5 years

ELECTRICAL DETAILS

LAMP	LED
POWER	8 W
COLOUR TEMPERATURE	4000K
LUMINOUS FLUX	730 Lm
EFFICACY DIMMING	79 Lm/W
DIMABLE	PHASE CUT
DRIVER	Remote
CLASS PROTECTION	II
COLOUR RENDERING INDEX	CRI >80
VOLTAGE	220-240 V
CURRENT INTENSITY	200 mA
LIFE TIME	50.000 h

GENERAL DIMENSIONS

DIMENSIONS	Ø 120 mm
CUT OUT	Ø 115 mm
HEIGHT	h 27 mm
DIMENSIONES DE EMBALAJE	160 × 160 × 45 mm
PESO NETO	0.28

*Please might expect a max.15% figure reduction in finishes other than white