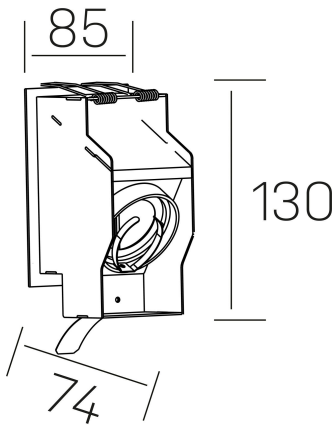




focus
K51200.01.WR.WH-WH.GU



GENERAL DETAILS

INSTALLATION	Wall Recessed
FINISHES ALUMINIUM	White-White
LIGHT DIRECTION	Fixed
INT/EXT IP DEGREE	IP 23
MATERIAL	Aluminum
IK DEGREE	IK05
UTILIZATION	Indoor
WARRANTY	3 years

ELECTRICAL DETAILS

LAMP HOLDERS	GU
POWER	Max 50 W
CLASS PROTECTION	II
VOLTAGE	110-240 V
FRECUENCIA	50-60 Hz

GENERAL DIMENSIONS

DIMENSIONS	85x130 mm
CUT OUT	70x130x150 mm
HEIGHT	h 74 mm total h 130 mm
DIMENSIONES DE EMBALAJE	175 x 90 x 95 mm
PESO NETO	4.8

*Please might expect a max.15% figure reduction in finishes other than white