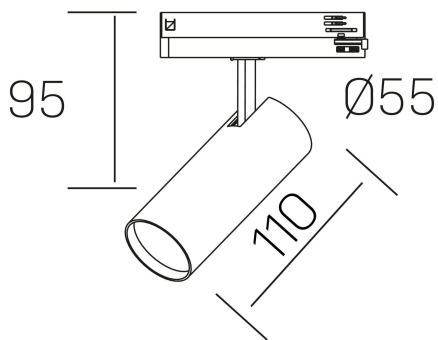




fame
K51500.01.TK.BK-BK.60.ST.8.40



GENERAL DETAILS

INSTALLATION	Tracklight
FINISHES ALUMINIUM	Black-Black
LIGHT DIRECTION	Orientable
TILTING DEGREES	90°
ROTATION DEGREES	360°
BEAM ANGLE	60°
INT/EXT IP DEGREE	IP20
MATERIAL	Aluminum
IK DEGREE	IK02
UTILIZATION	Indoor
WARRANTY	5 years

ELECTRICAL DETAILS

LAMP	LED
POWER	10W
COLOUR TEMPERATURE	4000K
LUMINOUS FLUX	850 lm
EFFICACY DIMMING	82 Lm/W
DIMABLE	No Dim
DRIVER	Integrated
CLASS PROTECTION	II
COLOUR RENDERING INDEX	CRI >80
VOLTAGE	220-240 V
FRECUENCIA	50-60 Hz
CURRENT INTENSITY	250 mA
LIFE TIME	50.000 h

GENERAL DIMENSIONS

DIMENSIONS	110 X Ø 55 mm
HEIGHT	h 120 mm, h 95 mm
DIMENSIONES DE EMBALAJE	175 x 190 x 75 mm
PESO NETO	0.38

*Please might expect a max.15% figure reduction in finishes other than white