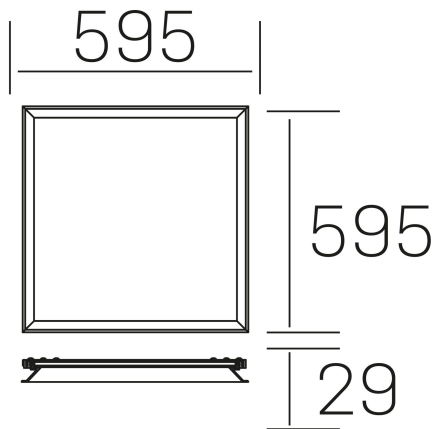


**chess winner k-
select**

K50522.01.RF.WH-WH.MP.ST.8.01.DA



GENERAL DETAILS

INSTALLATION	recessed with frame
FINISHES ALUMINIUM	White-White
OPTIC COVER	Microprismatico
LIGHT DIRECTION	Fixed
INT/EXT IP DEGREE	IP20/40
MATERIAL	Aluminum
IK DEGREE	IK03
UTILIZATION	Indoor
WARRANTY	3 years

ELECTRICAL DETAILS

LAMP	LED
POWER	37 W
COLOUR TEMPERATURE	3CCT 3000K-4000K-6000K
LUMINOUS FLUX	2700-3200-2900
EFFICACY DIMMING	74-88-80 Lm/W
DIMABLE	DALI
DRIVER	Remote
CLASS PROTECTION	II
COLOUR RENDERING INDEX	CRI >80
VOLTAGE	220-240 V
FRECUENCIA	50-60 Hz
CURRENT INTENSITY	1000 mA
LIFE TIME	50.000 h

GENERAL DIMENSIONS

DIMENSIONS	595×595 mm
CUT OUT	595×595 mm (techo modular)
HEIGHT	h 29 mm
DIMENSIONES DE EMBALAJE	N/A
PESO NETO	3.25

*Please might expect a max.15% figure reduction in finishes other than white