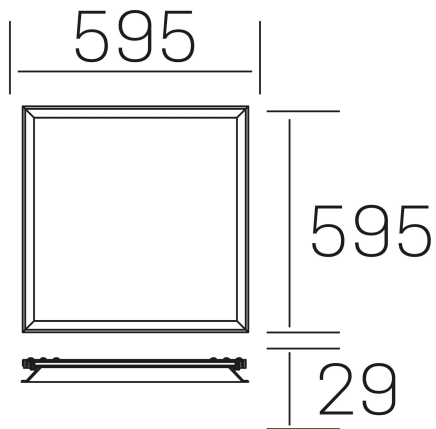


**chess winner k-
select**

K50522.01.RF.WH-WH.OP.ST.8.01.DA



GENERAL DETAILS

| | |
|--------------------|---------------------|
| INSTALLATION | recessed with frame |
| FINISHES ALUMINIUM | White-White |
| OPTIC COVER | Opal |
| LIGHT DIRECTION | Fixed |
| INT/EXT IP DEGREE | IP20/40 |
| MATERIAL | Aluminum |
| IK DEGREE | IK03 |
| UTILIZATION | Indoor |
| WARRANTY | 3 years |

ELECTRICAL DETAILS

| | |
|------------------------|------------------------|
| LAMP | LED |
| POWER | 37 W |
| COLOUR TEMPERATURE | 3CCT 3000K-4000K-6000K |
| LUMINOUS FLUX | 3000-3500-3200 |
| EFFICACY DIMMING | 82-96-80 Lm/W |
| DIMABLE | DALI |
| DRIVER | Remote |
| CLASS PROTECTION | II |
| COLOUR RENDERING INDEX | CRI >80 |
| VOLTAGE | 220-240 V |
| FRECUENCIA | 50-60 Hz |
| CURRENT INTENSITY | 1000 mA |
| LIFE TIME | 50.000 h |

GENERAL DIMENSIONS

| | |
|-------------------------|----------------------------|
| DIMENSIONS | 595×595 mm |
| CUT OUT | 595×595 mm (techo modular) |
| HEIGHT | h 29 mm |
| DIMENSIONES DE EMBALAJE | N/A |
| PESO NETO | 3.25 |

*Please might expect a max.15% figure reduction in finishes other than white