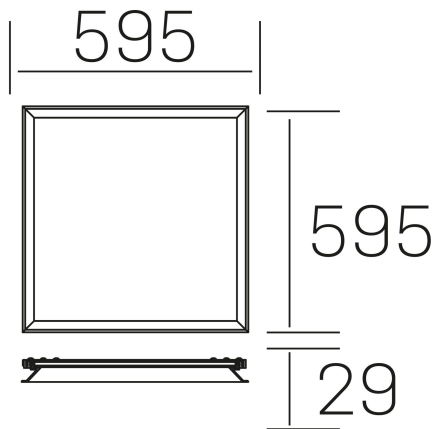


## chess winner k-select

K50522.01.RF.WH-WH.OP.ST.8.01.PU



### GENERAL DETAILS

INSTALLATION	recessed with frame
FINISHES ALUMINIUM	White-White
OPTIC COVER	Opal
LIGHT DIRECTION	Fixed
INT/EXT IP DEGREE	IP20/40
MATERIAL	Aluminum
IK DEGREE	IK03
UTILIZATION	Indoor
WARRANTY	3 years

### ELECTRICAL DETAILS

LAMP	LED
POWER	37 W
COLOUR TEMPERATURE	3CCT 3000K-4000K-6000K
LUMINOUS FLUX	3000-3500-3200
EFFICACY DIMMING	82-96-80 Lm/W
DIMABLE	Push
DRIVER	Remote
CLASS PROTECTION	II
COLOUR RENDERING INDEX	CRI >80
VOLTAGE	220-240 V
FRECUENCIA	50-60 Hz
CURRENT INTENSITY	1000 mA
LIFE TIME	50.000 h

### GENERAL DIMENSIONS

DIMENSIONS	595×595 mm
CUT OUT	595×595 mm (techo modular)
HEIGHT	h 29 mm
DIMENSIONES DE EMBALAJE	N/A
PESO NETO	3.25

\*Please might expect a max.15% figure reduction in finishes other than white