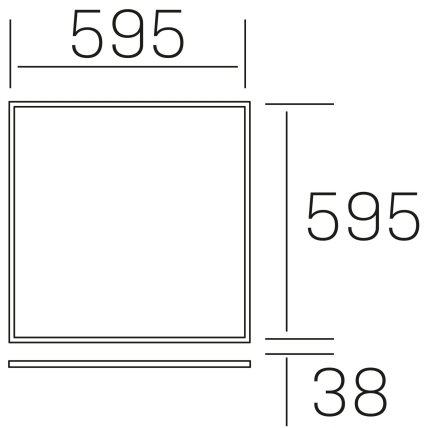


chess elite k-select
K50523.01.RF.WH-WH.OP.ST.8.01.PU



GENERAL DETAILS

INSTALLATION	recessed with frame
FINISHES ALUMINIUM	White-White
OPTIC COVER	Opal
LIGHT DIRECTION	Fixed
INT/EXT IP DEGREE	IP20/40
MATERIAL	Aluminum
IK DEGREE	IK03
UTILIZATION	Indoor
WARRANTY	5 years

ELECTRICAL DETAILS

LAMP	LED
POWER	40 W
COLOUR TEMPERATURE	3CCT 3000K-4000K-6000K
LUMINOUS FLUX	3600-4000-3800 Lm
EFFICACY DIMMING	91-101-96 Lm/W
DIMABLE	Push
DRIVER	Remote
CLASS PROTECTION	II
COLOUR RENDERING INDEX	CRI >80
VOLTAGE	220-240 V
CURRENT INTENSITY	1000 mA
LIFE TIME	50.000 h

GENERAL DIMENSIONS

DIMENSIONS	595×595 mm
CUT OUT	595×595 mm (techo modular)
HEIGHT	h 38 mm
DIMENSIONES DE EMBALAJE	660 × 630 × 35 mm
PESO NETO	2.32

*Please might expect a max.15% figure reduction in finishes other than white