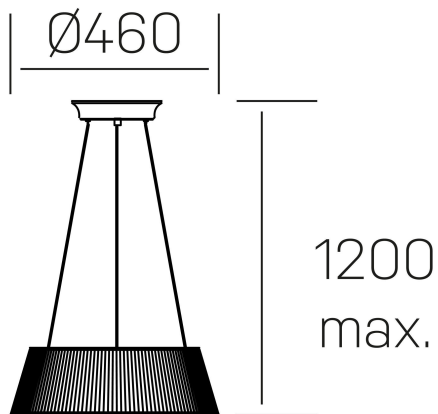




**chas**  
K51400.01.PN.WH-WH.OP.ST.8.30



#### GENERAL DETAILS

INSTALLATION	Pendant
FINISHES ALUMINIUM	White-White
OPTIC COVER	Opal
LIGHT DIRECTION	Fixed
INT/EXT IP DEGREE	IP 23
MATERIAL	Policarbonato
IK DEGREE	IK05
UTILIZATION	Indoor
WARRANTY	3 years

#### ELECTRICAL DETAILS

LAMP	LED
POWER	30 W
COLOUR TEMPERATURE	3000K
LUMINOUS FLUX	3000 Lm
EFFICACY DIMMING	100 Lm/W
DIMABLE	No Dim
DRIVER	Remote
CLASS PROTECTION	I
COLOUR RENDERING INDEX	CRI >80
VOLTAGE	220-240 V
FRECUENCIA	50-60 Hz
CURRENT INTENSITY	300 mA
LIFE TIME	50.000 h

#### GENERAL DIMENSIONS

DIMENSIONS	Ø 460 mm
HEIGHT	h 1200 mm
DIMENSIONES DE EMBALAJE	525 × 525 × 525 mm
PESO NETO	2.20

\*Please might expect a max.15% figure reduction in finishes other than white