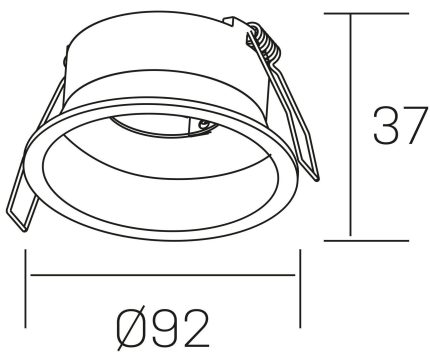




venus
K50111.01.RF.WH-WH.GU



GENERAL DETAILS

| | |
|-----------------------|---------------------|
| INSTALACIÓN | recessed with frame |
| COLOR EXT-INT | White-White |
| DIRECCIÓN DE LA LUZ | Orientable |
| GRADOS DE BASCULACIÓN | 30° |
| INT-EXT ESTANQUEIDAD | IP 23 |
| MATERIAL | Aluminum |
| RESISTENCIA MECÁNICA | IK05 |
| USO | Indoor |
| GARANTÍA | 5 years |

ELECTRICAL DETAILS

| | |
|--------------------|-----------|
| PORTALÁMPARAS | GU |
| POTENCIA | Max 8W |
| CLASE DE SEGURIDAD | II |
| TENSIÓN | 110-240 V |

GENERAL DIMENSIONS

| | |
|-------------------------|------------------------|
| DIMENSIÓN | Ø 92 mm |
| AGUJERO DE CORTE | Ø 80 mm |
| ALTURA | h 37 mm total h 103 mm |
| DIMENSIONES DE EMBALAJE | 95 × 95 × 50 mm |
| PESO NETO | 0.12 |

*Please might expect a max.15% figure reduction in finishes other than white