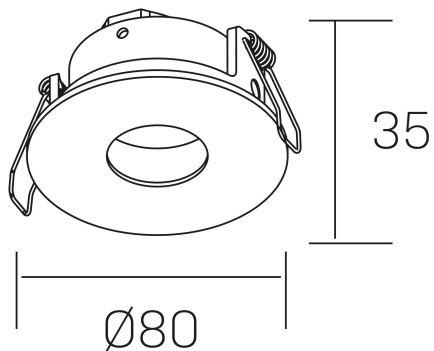




**venus dot**  
K50130.01.RF.WH-WH.GU



#### GENERAL DETAILS

INSTALLATION	recessed with frame
FINISHES ALUMINIUM	White-White
LIGHT DIRECTION	Fixed
INT/EXT IP DEGREE	IP 23
MATERIAL	Aluminum
IK DEGREE	IK05
UTILIZATION	Indoor
WARRANTY	3 years

#### ELECTRICAL DETAILS

LAMP HOLDERS	GU
POWER	Max 50 W
CLASS PROTECTION	II
VOLTAGE	110-240 V
FRECUENCIA	50-60 Hz

#### GENERAL DIMENSIONS

DIMENSIONS	Ø 80 mm
CUT OUT	Ø 70 mm
HEIGHT	h 35 mm total h 95 mm
DIMENSIONES DE EMBALAJE	85 × 85 × 45 mm
PESO NETO	0.14

\*Please might expect a max.15% figure reduction in finishes other than white