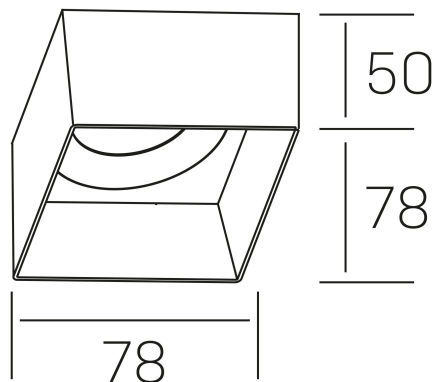




**ozone sat sq**  
K50125.01.TR.WH-WH.GU



#### GENERAL DETAILS

|                      |             |
|----------------------|-------------|
| INSTALACIÓN          | Trimless    |
| COLOR EXT-INT        | White-White |
| DIRECCIÓN DE LA LUZ  | Fixed       |
| INT-EXT ESTANQUEIDAD | IP 23       |
| MATERIAL             | Aluminum    |
| RESISTENCIA MECÁNICA | IK05        |
| USO                  | Indoor      |
| GARANTÍA             | 5 years     |

#### ELECTRICAL DETAILS

|                    |           |
|--------------------|-----------|
| PORTALÁMPARAS      | GU        |
| POTENCIA           | Max 50 W  |
| CLASE DE SEGURIDAD | II        |
| TENSIÓN            | 110-240 V |

#### GENERAL DIMENSIONS

|                         |                        |
|-------------------------|------------------------|
| DIMENSIÓN               | 78×78 mm               |
| AGUJERO DE CORTE        | 88x88 mm               |
| ALTURA                  | h 50 mm total h 128 mm |
| DIMENSIONES DE EMBALAJE | 95 × 95 × 55 mm        |
| PESO NETO               | 0.30                   |

\*Please might expect a max.15% figure reduction in finishes other than white