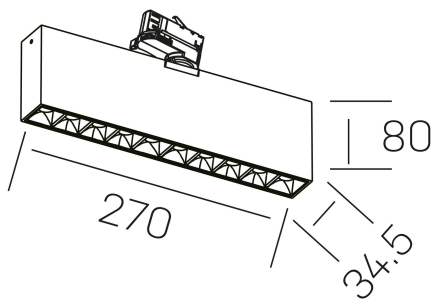


nses
K51300.02.TK.WH-BK.45.ST.9.30.DA



GENERAL DETAILS

INSTALLATION	Tracklight
FINISHES ALUMINIUM	Black-White
LIGHT DIRECTION	Orientable
TILTING DEGREES	60°
ROTATION DEGREES	360°
BEAM ANGLE	15°
INT/EXT IP DEGREE	IP20
MATERIAL	Aluminum
IK DEGREE	IK 6
UTILIZATION	Indoor
WARRANTY	3 years

ELECTRICAL DETAILS

LAMP	LED
POWER	20 W
COLOUR TEMPERATURE	3000K
LUMINOUS FLUX	275 Lm
EFFICACY DIMMING	55 Lm/W
DIMABLE	DALI
DRIVER	Integrated
CLASS PROTECTION	II
COLOUR RENDERING INDEX	CRI>90
VOLTAGE	220-240 V
FRECUENCIA	50-60 Hz
CURRENT INTENSITY	600 mA
LIFE TIME	35.000 h

GENERAL DIMENSIONS

DIMENSIONS	270×34.5 mm
HEIGHT	h 80 mm
DIMENSIONES DE EMBALAJE	290 × 150 × 45 mm
PESO NETO	0.80

*Please might expect a max.15% figure reduction in finishes other than white