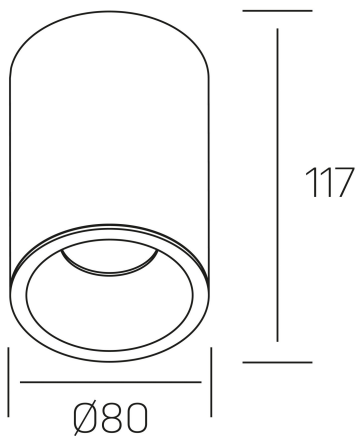




moon totem  
K50133.01.SR.WH-WH.GU



#### GENERAL DETAILS

|                      |             |
|----------------------|-------------|
| INSTALACIÓN          | Surface     |
| COLOR EXT-INT        | White-White |
| DIRECCIÓN DE LA LUZ  | Fixed       |
| INT-EXT ESTANQUEIDAD | IP 65       |
| MATERIAL             | Aluminum    |
| RESISTENCIA MECÁNICA | IK05        |
| USO                  | Indoor      |
| GARANTÍA             | 5 years     |

#### ELECTRICAL DETAILS

|                    |           |
|--------------------|-----------|
| PORTALÁMPARAS      | GU        |
| POTENCIA           | 8 W       |
| DIMABLE            | No Dim    |
| CLASE DE SEGURIDAD | II        |
| TENSIÓN            | 110-240 V |

#### GENERAL DIMENSIONS

|                         |                     |
|-------------------------|---------------------|
| DIMENSIÓN               | Ø 80 mm             |
| ALTURA                  | h 117 mm            |
| DIMENSIONES DE EMBALAJE | 100 × 100 × 1.60 mm |
| PESO NETO               | 0.42                |

\*Please might expect a max.15% figure reduction in finishes other than white