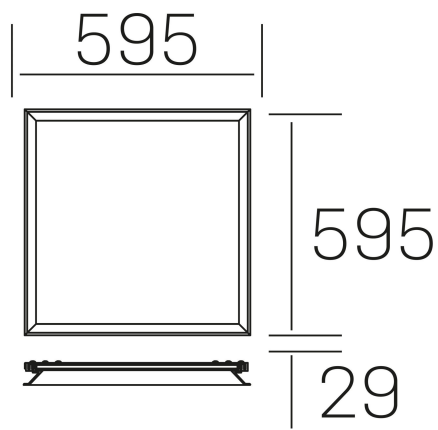


## chess winner k-select

K50522.01.RF.WH-WH.MP.ST.8.01.PU



### GENERAL DETAILS

|                      |                     |
|----------------------|---------------------|
| INSTALACIÓN          | recessed with frame |
| COLOR EXT-INT        | White-White         |
| DIFUSOR              | Microprismatico     |
| DIRECCIÓN DE LA LUZ  | Fixed               |
| INT-EXT ESTANQUEIDAD | IP20/40             |
| MATERIAL             | Aluminum            |
| RESISTENCIA MECÁNICA | IK03                |
| USO                  | Indoor              |
| GARANTÍA             | 5 years             |

### ELECTRICAL DETAILS

|                                  |                        |
|----------------------------------|------------------------|
| FUENTE DE LUZ                    | LED                    |
| POTENCIA                         | 37 W                   |
| TEMPERATURA DE COLOR             | 3CCT 3000K-4000K-6000K |
| FLUJO LUMÍNICO                   | 2700-3200-2900         |
| EFICIENCIA LUMÍNICA              | 74-88-80 Lm/W          |
| DIMABLE                          | Push                   |
| DRIVER                           | Remote                 |
| CLASE DE SEGURIDAD               | II                     |
| ÍNDICE DE REPRODUCCIÓN CROMÁTICA | CRI >80                |
| TENSIÓN                          | 220-240 V              |
| CORRIENTE                        | 1000 mA                |
| VIDA UTIL                        | 50.000 h               |

### GENERAL DIMENSIONS

|                         |                            |
|-------------------------|----------------------------|
| DIMENSIÓN               | 595×595 mm                 |
| AGUJERO DE CORTE        | 595×595 mm (techo modular) |
| ALTURA                  | h 29 mm                    |
| DIMENSIONES DE EMBALAJE | N/A                        |
| PESO NETO               | 3.25                       |

\*Please might expect a max.15% figure reduction in finishes other than white