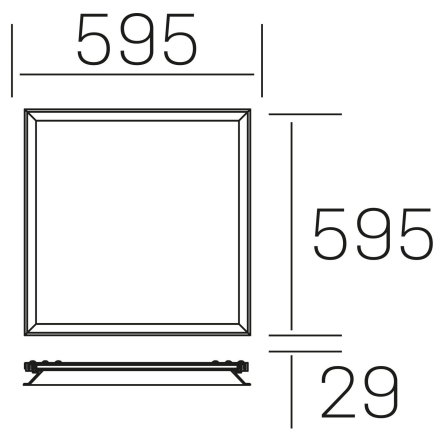


**chess winner k-
select**
K50522.01.RF.WH-WH.SK.ST.8.01.PU



GENERAL DETAILS

| | |
|----------------------|---------------------|
| INSTALACIÓN | recessed with frame |
| COLOR EXT-INT | White-White |
| DIFUSOR | Cielo |
| DIRECCIÓN DE LA LUZ | Fixed |
| INT-EXT ESTANQUEIDAD | IP20/40 |
| MATERIAL | Aluminum |
| RESISTENCIA MECÁNICA | IK03 |
| USO | Indoor |
| GARANTÍA | 5 years |

ELECTRICAL DETAILS

| | |
|----------------------------------|------------------------|
| FUENTE DE LUZ | LED |
| POTENCIA | 37 W |
| TEMPERATURA DE COLOR | 3CCT 3000K-4000K-6000K |
| FLUJO LUMÍNICO | 3000-3500-3200 |
| EFICIENCIA LUMÍNICA | 82-96-80 Lm/W |
| DIMABLE | Push |
| DRIVER | Remote |
| CLASE DE SEGURIDAD | II |
| ÍNDICE DE REPRODUCCIÓN CROMÁTICA | CRI >80 |
| TENSIÓN | 220-240 V |
| CORRIENTE | 1000 mA |
| VIDA UTIL | 50.000 h |

GENERAL DIMENSIONS

| | |
|-------------------------|----------------------------|
| DIMENSIÓN | 595×595 mm |
| AGUJERO DE CORTE | 595×595 mm (techo modular) |
| ALTURA | h 29 mm |
| DIMENSIONES DE EMBALAJE | N/A |
| PESO NETO | 3.25 |

*Please might expect a max.15% figure reduction in finishes other than white