



# LUMO MINI

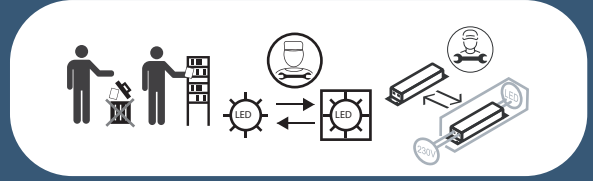
REF: K51302.RF




## INSTALLATION INSTRUCTIONS



V.01

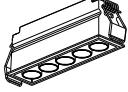


K51302.03



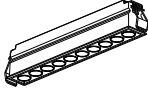
64 x 28  
h 38 mm

K51302.05



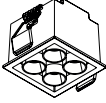
100 x 28  
h 38 mm

K51302.10



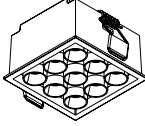
190 x 28  
h 38 mm

K51302.22\*



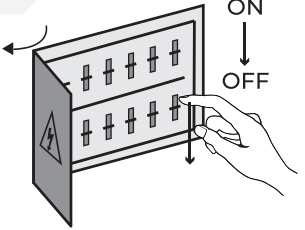
46 x 46  
h 38 mm

K51302.33



64 x 64  
h 38 mm

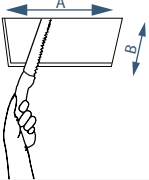
**1**



ON  
OFF

**2**

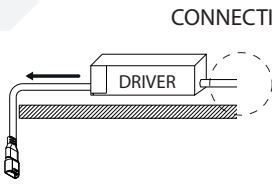
CUT OUT



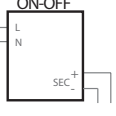
	A	B	
.03	60 mm	24 mm	h+60 mm
.05	96 mm	24 mm	h+20 mm
.10	186 mm	24 mm	h+20 mm
.22	42 mm	42 mm	h+40 mm
.33	60 mm	60 mm	h+20 mm

**3**

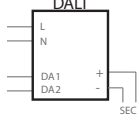
CONNECTION



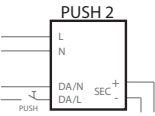
ON-OFF



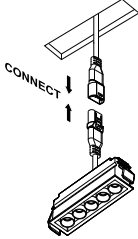
DALI



PUSH 2

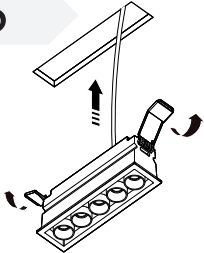


**4**

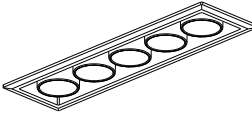


CONNECT

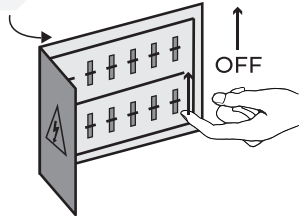
**5**



**6**



**7**



ON  
OFF

